



# PROGRES® CF<sup>COOL</sup>

## Technical data

### KEY FACTS

- CCD microscope camera
- 6.45 x 6.45 µm pixel size
- 2/3" sensor
- 14 bit
- Cooling
- Software included

### SYSTEM REQUIREMENTS

|                                    |  |
|------------------------------------|--|
| Personal computer                  | Intel i7 (Quad-Core) processor or comparable / 8 GB RAM  |
| Operating system                   | WIN 7 / 8 / 10   MAC El Capitan   LINUX Ubuntu 14.04 LTS |
| Data interface                     | FireWire 400 integrated                                  |
| FireWire card                      | Texas Instruments chip set                               |
| Monitor resolution                 | 1920 x 1080 or higher                                    |
| Software (included in the package) | PROGRES GRYPHAX® (64 bit operating systems only)         |

### IMAGE SENSOR

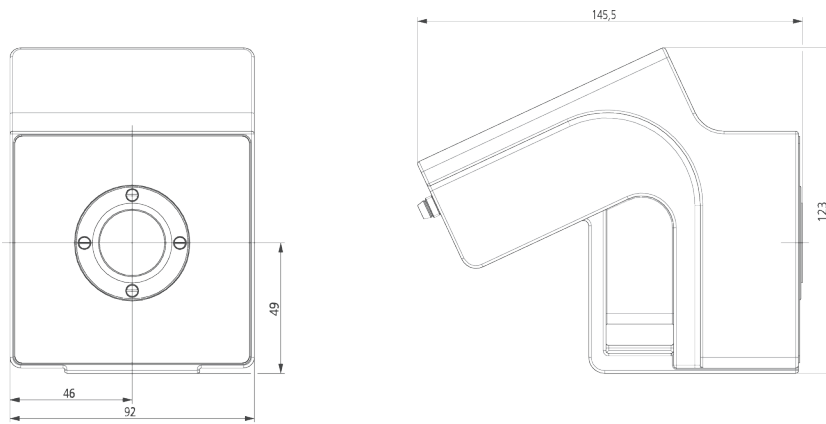
|  |                                   |
|--|-----------------------------------|
| Type   square   utilised sensor diagonal | SONY CCD   2/3"   10.97 mm        |
| Pixel dimensions                         | 6.45 x 6.45 µm                    |
| Color or monochrome                      | Color                             |
| Transfer method   shutter mode           | Progressive scan   Global shutter |
| Full sensor resolution                   | 1360 x 1020 pixel                 |

### CAMERA

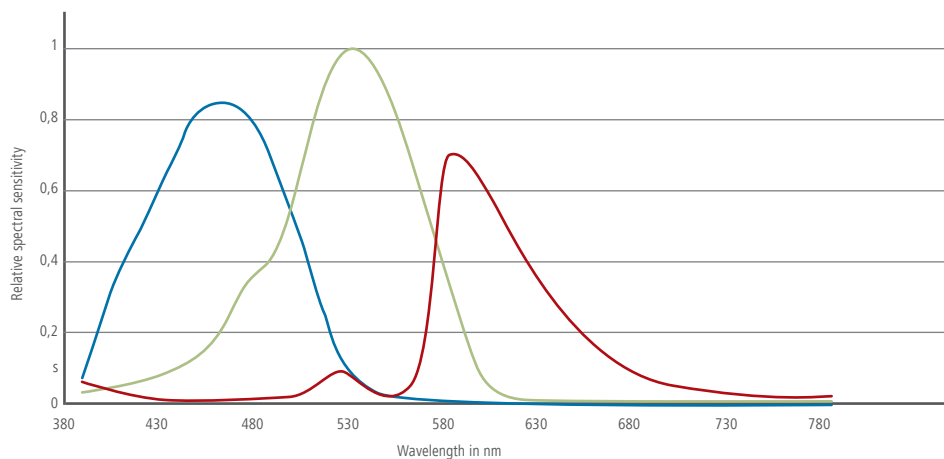
|                                  |   |
|----------------------------------|---|
| Camera resolution in LIVE mode   | HD 1280 x 720 pixel (15 fps)                |
| Camera resolution in RECORD mode | HD 1280 x 720 pixel up to 1360 x 1020 pixel |
| Exposure time min. - max.        | 86 µs - 64 s                                |
| Gain                             | Max. 32                                     |
| A/D conversion                   | 14 bit (16384 grey values)                  |
| Absolute sensitivity threshold*  | 8 e-  |
| Saturation capacity*             | 16000 e-                                    |
| Dynamic range*                   | 66 dB                                       |

\*based on EMVA 1288 standard compliance guidelines

|                                 |   |
|---------------------------------|---|
| Filter                          | IR cut I optional clear-glass                     |
| Hardware trigger                | IN and OUT  |
| Cooling                         | Peltier and fan I nitrogen flashed sensor capsule |
| Optical interface               | C-mount   |
| Power consumption               | Appr. 8 W   |
| Dimensions                      | 145.5 mm x 92 mm x 123 mm                         |
| Weight                          | Appr. 800 g                                       |
| Storage options                 | -20°C up to +70°C                                 |
| Operating temperature           | +10°C up to +35°C non condensing                  |
| Warranty                        | 24 months   |
| CE conformity / RoHS conformity | Yes   |



#### MEASURED RELATIVE SPECTRAL SENSITIVITY\*:



PROGRES® CF<sup>cool</sup> IS AN PREMIUM SOLUTION FOR:

- Life science
- Forensics

\*based on EMVA 1288 standard compliance guidelines / effective spectral sensitivity on request