

# PROGRES® MF<sup>cool</sup>

## Technical data

### KEY FACTS

- CCD microscope camera
- 6.45 x 6.45 µm pixel size
- 2/3" sensor
- 14 bit
- Cooling
- Software included

### SYSTEM REQUIREMENTS

Personal computer	Intel i7 (Quad-Core) processor or comparable / 8 GB RAM
Operating system	WIN 7 / 8 / 10   MAC El Capitan   LINUX Ubuntu 14.04 LTS
Data interface	FireWire 400 integrated
FireWire card	Texas Instruments chip set
Monitor resolution	1920 x 1080 or higher
Software (included in the package)	PROGRES GRYPHAX® (64 bit operating systems only)

### IMAGE SENSOR

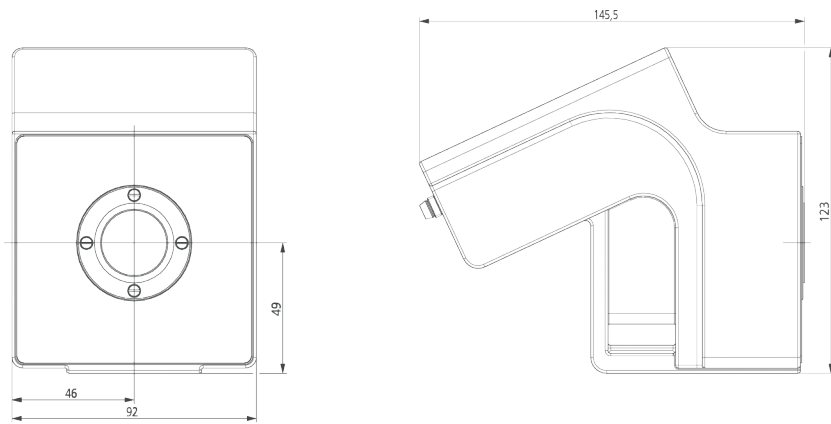
Type   square   utilised sensor diagonal	SONY CCD   2/3"   10.97 mm
Pixel dimensions	6.45 x 6.45 µm
Color or monochrome	Monochrome
Transfer method   shutter mode	Progressive scan   Global shutter
Full sensor resolution	1360 x 1020 pixel

### CAMERA

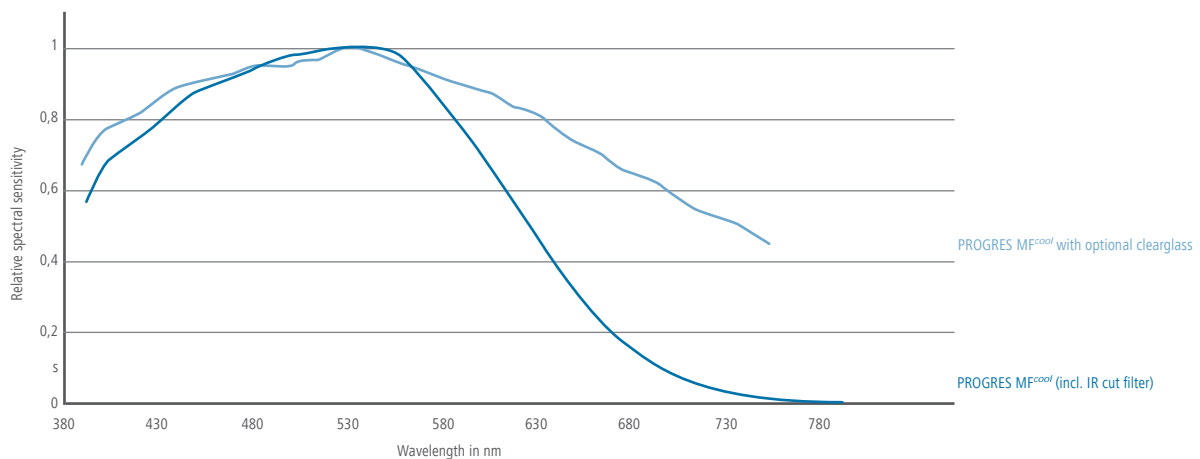
Camera resolution in LIVE mode	HD 1280 x 720 pixel (15 fps)
Camera resolution in RECORD mode	HD 1280 x 720 pixel up to 1360 x 1020 pixel
Exposure time min. - max.	86 µs - 120 s
Gain	Max. 60
A/D conversion	14 bit (16384 grey values)
Absolute sensitivity threshold*	8 e-
Saturation capacity*	16000 e-
Dynamic range*	66 dB

\*based on EMVA 1288 standard compliance guidelines

Filter	IR cut I optional clear-glass
Hardware trigger	IN and OUT
Cooling	Peltier and fan I nitrogen flashed sensor capsule
Optical interface	C-mount
Power consumption	Appr. 8 W
Dimensions	145.5 mm x 92 mm x 123 mm
Weight	Appr. 800 g
Storage options	-20°C up to +70°C
Operating temperature	+10°C up to +35°C non condensing
Warranty	24 months
CE conformity / RoHS conformity	Yes



#### MEASURED RELATIVE SPECTRAL SENSITIVITY\*:



PROGRES® MF<sup>cool</sup> IS AN PREMIUM SOLUTION FOR:

- Life science
- Forensics

\*based on EMVA 1288 standard compliance guidelines / effective spectral sensitivity on request